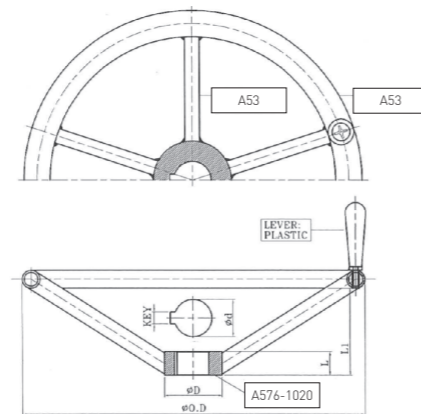


Handwheel Type

Handwheel Type

Worm Standard Handwheel

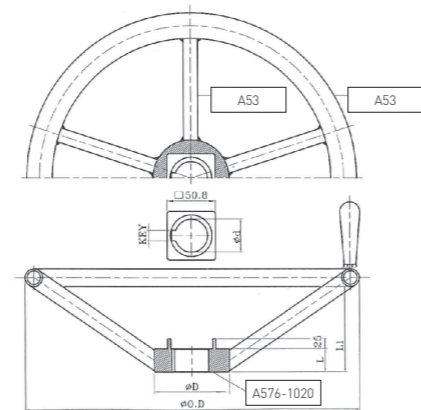
MODEL	SIZE	Ø0.D	ØD	ØD & KEY	L	L1	ARM QTY
WH-200	200	40	25	Ø16 6X6	70	70	3EA
WH-250	250					90	
WH-300	300					110	
WH-350	350	50	30	Ø21 6X6	120	120	4EA
WH-400	400					130	
WH-450	450					150	
WH-500	500	60	35	Ø26 8X7	160	160	5EA
WH-560	560					170	
WH-630	630					190	
WH-710	710	70	35	Ø32 10X8	210	210	6EA
WH-800	800					230	
WH-900	900					250	
WH-1000	1000	90	59	Ø50 16X10	270		



If there is no request from customers, we will make handwheel as per the above table. As option, the material can be changed and Handwheel size can be suitable for all model.

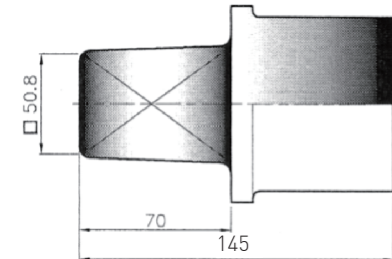
Drive Nut Handwheel

MODEL	SIZE	Ø0.D	ØD	ØD & KEY	L	L1	ARM QTY
WDNH-200	200	40	25	Ø16 6X6	70	70	3EA
WDNH-250	250					90	
WDNH-300	300					110	
WDNH-350	350	50	30	Ø21 6X6	120	120	4EA
WDNH-400	400					130	
WDNH-450	450					150	
WDNH-500	500	60	35	Ø26 8X7	160	160	5EA
WDNH-560	560					170	
WDNH-630	630					190	
WDNH-710	710	70	35	Ø32 10X8	210	210	6EA
WDNH-800	800					230	
WDNH-900	900					250	
WDNH-1000	1000	90	59	Ø50 16X10	270		

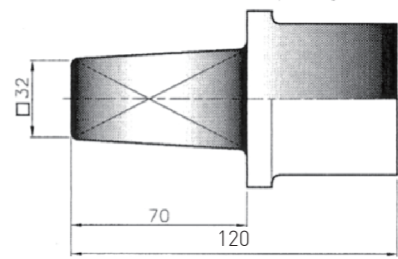


This Handwheel is the type using air impact wrench and if can be made properly according to customer's request.

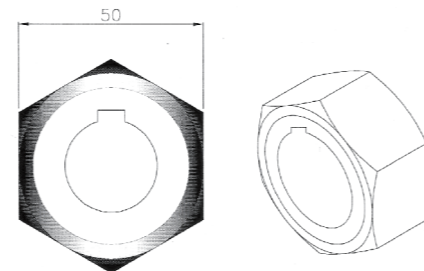
Square Adaptor



2" Square Nut



32 Square Nut



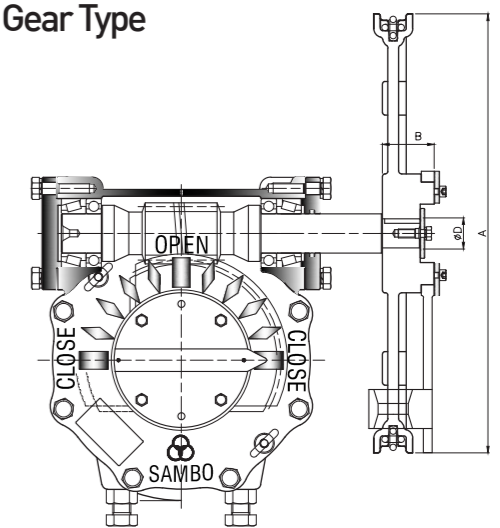
Hexagon Adaptor

Chainwheel Type

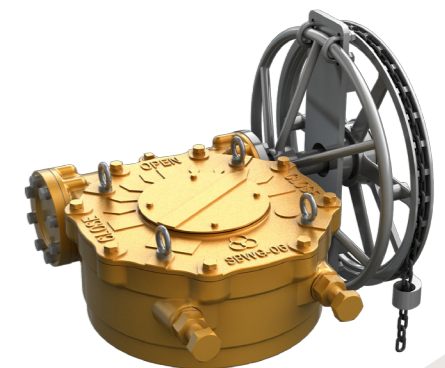
Worm Standard

MODEL	SIZE	A	B	Ø D & KEY
CH-200	200	43	43	Ø 16 6X6 Ø 21 6X6
CH-250	250			
CH-300	300	43.5	43.5	Ø 26 8X7 Ø 32 10X8
CH-350	350			
CH-400	400			
CH-450	450	50	50	Ø 38 12X8
CH-500	500			
CH-550	550	53	53	Ø 38 - 12X8 Ø 50 - 16X10
CH-600	600			
CH-700	700			
CH-800	800			

Gear Type



Hammer Type



Chainwheel has 2 Type

- First, hammer type which is joined with handwheel.
- Second, gear type which is adhered to gear directly.
- Material : sprocket rim (FCD-450), guide arm (FCD-450), chain (Steel + Zn)

Handwheel Selection Chart

