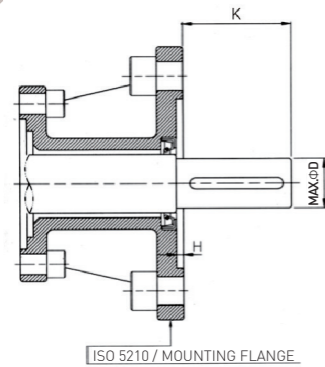


M · O · V TYPE

Flange Dimensions

# M · O · V TYPE

## Selection Chart for Electric Actuator Dimension



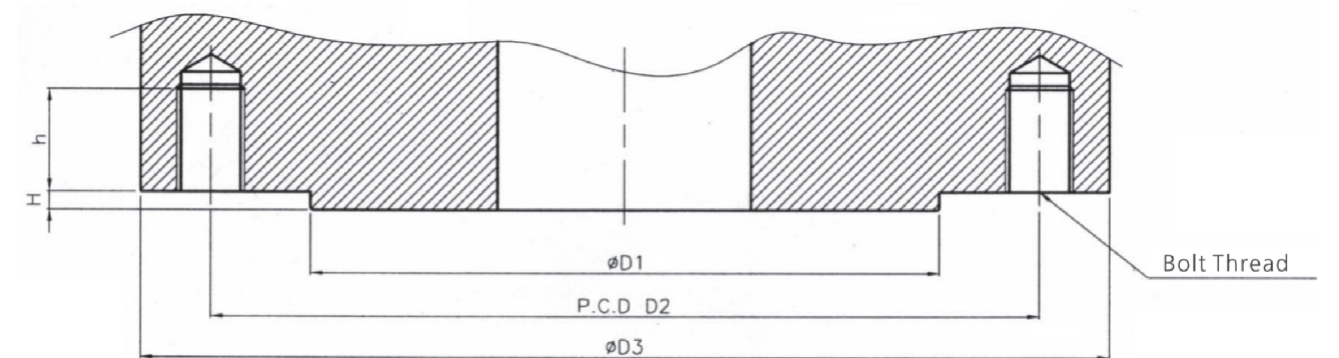
### Bevel Gear Actuator

Standard Type						Support Type							
MODEL	NO	Flange Type				Max. ΦD & Key	MODEL	NO	Flange Type				Max. ΦD & Key
		F-10,F-14,F-16		F-25,F-30					F-10,F-14,F-16		F-25,F-30		
		K	H	K	H				K	H	K	H	
SB-VS10						SB-V0-1S,1SD						-1SD Φ30 (10X8)	
SB-VS20					Φ 30 (10X8)	SB-V1-1S,1SD						-1SD Φ25 (8X7)	
SB-V0					Φ 35 (10X8)	SB-V2-1S,1SD						Φ30 (10X8)	
SB-V1					Φ 40 (12X8)	SB-V3-1S,1SD						Φ35 (10X8)	
SB-V2					Φ 45 (14X9)	SB-V35-1S,1SD						Φ45 (14X9)	
SB-V3					Φ 55 (16X10)	SB-V4-1S,1SD	70	6	90	8			Φ55 (16X10)
SB-V35					Φ 60 (18X11)	SB-V5-1S,1SD							Φ60 (18X11)
SB-V4	70	6	90	8	Φ 65 (18X11)	SB-V6-1S,1SD							Φ65 (18X11)
SB-V5					Φ 80	SB-V7-1S,1SD							Φ80
SB-V6					Φ 90	SB-V8-1S,1SD							Φ90
SB-V7						SB-V85-1S,1SD							
SB-V8						SB-V9-1S,1SD							
SB-V85						SB-V10-1S,1SD							
SB-V9													
SB-V10													

### Worm Gear Actuators

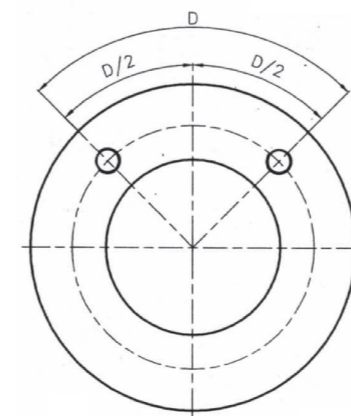
Standard Type						Support Type							
MODEL	NO	Flange Type				Max. ΦD & Key	MODEL	NO	Flange Type				Max. ΦD & Key
		F-10,F-14,F-16		F-25,F-30					F-10,F-14,F-16		F-25,F-30		
		K	H	K	H				K	H	K	H	
SBWG-BF					Φ 20 (6X6)	SBWG-00-1S,1SD						Φ 25 (8X7)	
SBWG-0					Φ 25 (8X7)	SBWG-01-1S,1SD						Φ 30 (10X8)	
SBWG-00					Φ 35 (10X8)	SBWG-02-1S,1SD						Φ 35 (10X8)	
SBWG-01					Φ 50 (16X10)	SBWG-03-1S,1SD						Φ 45 (14X9)	
SBWG-02					Φ 55 (16X10)	SBWG-04-1S,1SD						Φ 55 (16X10)	
SBWG-03					Φ 70 (18X11)	SBWG-05-1S,1SD						Φ 70 (18X11)	
SBWG-04					Φ 90	SBWG-06-1S,1SD	70	6	90	8			Φ 90
SBWG-05					Φ 120	SBWG-07-1S,1SD							Φ 120
SBWG-06						SBWG-08-1S,1SD							
SBWG-07						SBWG-09-1S,1SD							
SBWG-08						SBWG-10-1S,1SD							
SBWG-09						SBWG-11-1S,1SD							
SBWG-10						SBWG-12-1S,1SD							
SBWG-11						SBWG-13-1S,1SD							
SBWG-12													
SBWG-13													

# FLANGE DIMENSIONS



FLANGE TYPE	ISO 5210/1 MOUNTING FLANGE							
	ØD1	P.C.D D2	Ø D3	H MAX.	Bolt Thread		Tap Dp MIN.	NO. of Screws
F-05	35	50	65	3	M6	1/4"-20UNC	9	4
F-07	55	70	90		M8	5/16"-18UNC	12	
F-10	70	102	125		M10	3/8"-16UNC	15	
F-12	85	125	150		M12	1/2"-13UNC	18	
F-14	100	140	175	4	M16	5/8"-11UNC	24	8
F-16	130	165	210	5	M20	3/4"-10UNC	30	
F-25	200	254	300		M16	5/8"-11UNC	24	
F-30	230	298	350		M20	3/4"-10UNC	30	
F-35	260	356	415		8	M30	1"-8UNC	45
F-40	300	406	475	M36		1 1/4"-7UNC	54	
F-48	370	483	560	M36		1 1/4"-7UNC	54	
F-60	470	603	686	M36		1 1/4"-7UNC	54	

### Position of Holes



FLANGE TYPE	NO. of Screws	D/2
F-05 to F-16	4	45°
F-25 to F-40	8	22.5°
F-48	12	15°
F-60	20	9°